

INCH  
DIMENSIONS IN  
[ ] ARE METRIC

REMOVE ALL  
BURRS, BREAK  
SHARP EDGES, AND  
INSPECT. CHAMFER  
ALL TAPPED HOLES.

DO NOT  
SCALE

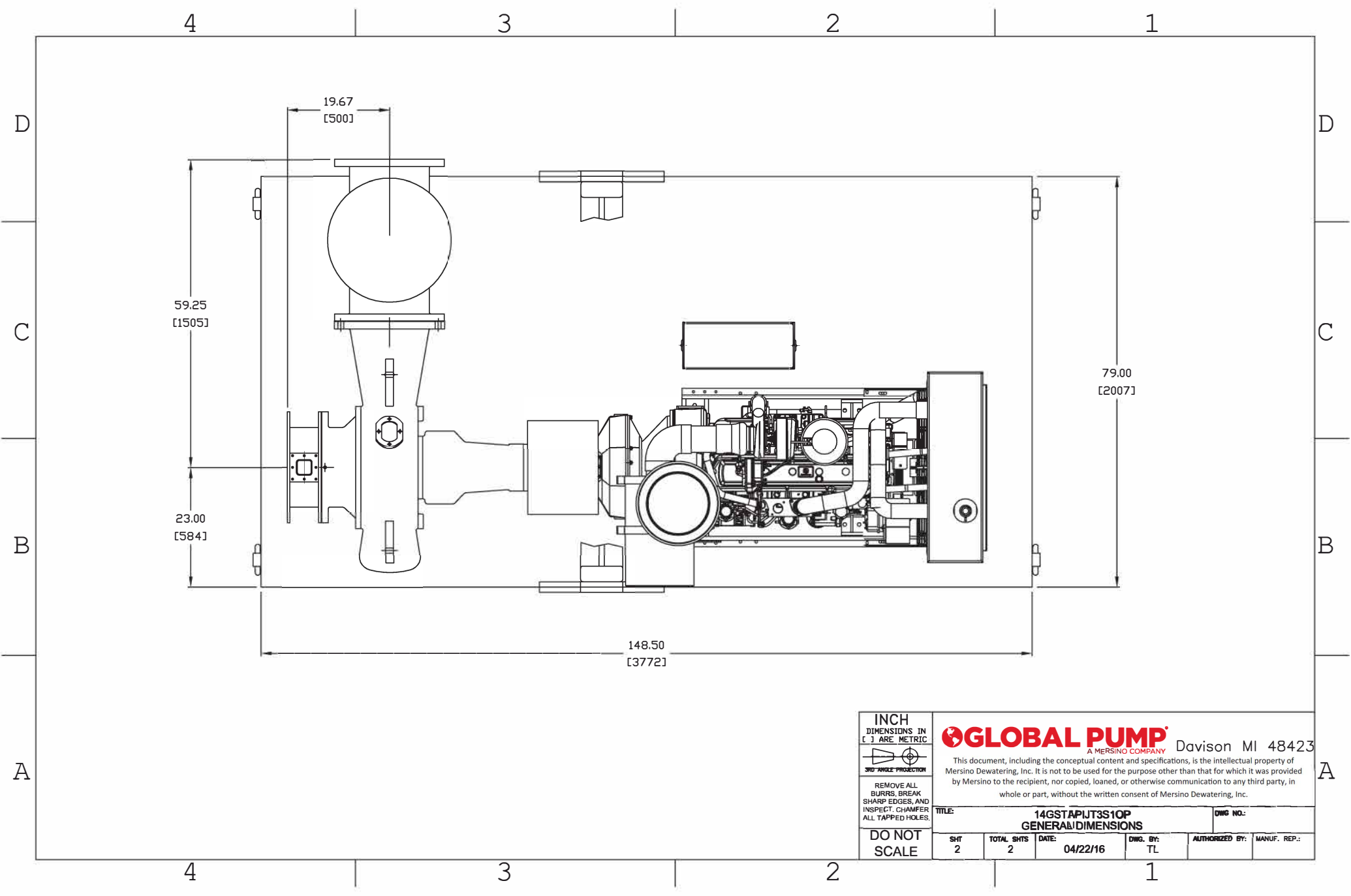
**GLOBAL PUMP**  
A MERSINO COMPANY Davison MI 48423

This document, including the conceptual content and specifications, is the intellectual property of Mersino Dewatering, Inc. It is not to be used for the purpose other than that for which it was provided by Mersino to the recipient, nor copied, loaned, or otherwise communication to any third party, in whole or part, without the written consent of Mersino Dewatering, Inc.

TITLE: 14GSTAPIJT3S10P  
GENERAL DIMENSIONS

SHT 1	TOTAL SHTS 2	DATE: 04/22/16	DWG. BY: TL	AUTHORIZED BY:	MANUF. REP.:
----------	-----------------	-------------------	----------------	----------------	--------------

DWG NO.:



INCH  
DIMENSIONS IN  
[ ] ARE METRIC

3RD ANGLE PROJECTION

REMOVE ALL  
BURRS, BREAK  
SHARP EDGES, AND  
INSPECT. CHAMFER  
ALL TAPPED HOLES.

**GLOBAL PUMP**  
A MERSINO COMPANY Davison MI 48423

This document, including the conceptual content and specifications, is the intellectual property of Mersino Dewatering, Inc. It is not to be used for the purpose other than that for which it was provided by Mersino to the recipient, nor copied, loaned, or otherwise communication to any third party, in whole or part, without the written consent of Mersino Dewatering, Inc.

DO NOT  
SCALE

TITLE:		14GSTAPIJT3S10P GENERAL DIMENSIONS		DWG NO.:	
SHT	TOTAL SHITS	DATE:	DWG. BY:	AUTHORIZED BY:	MANUF. REP.:
2	2	04/22/16	TL		